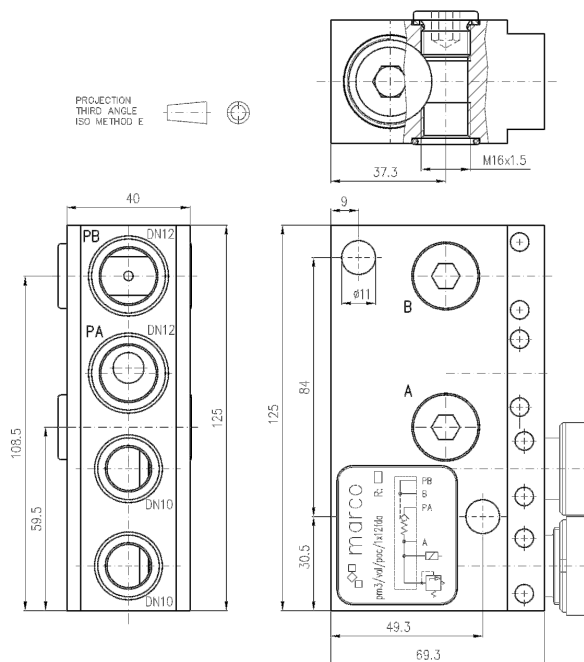


Single pilot operated check valve with flange for both cylinder sides



This pilot operated check valve with flange is screwed directly onto the hydraulic cylinder. The hydraulic block and cylinder connections are DN12. The control and yield valve connections are DN10. The valve can be mounted either on the right or left hand side.



pm3/val/poc/1x12fda

Order number	Description
pm3/val/poc/1x12fda	Single pilot operated check valve with flange for both cylinder sides