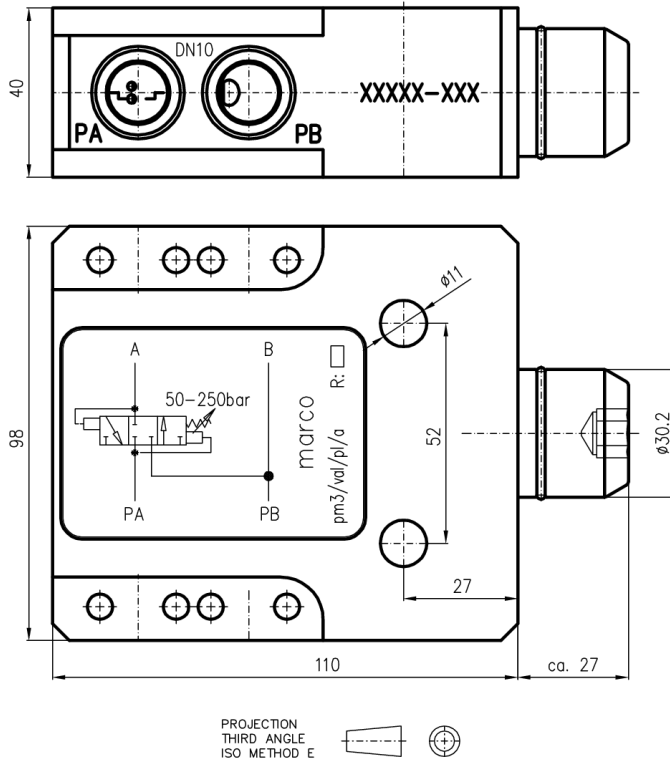


Pressure limiting valve



This valve regulates the pressure of a function A at output A' to an adjustable value. The pressure can be set to between 50 and 250 bar using a spanner. B and B' are for the opposite function which is without pressure during activation. If the activated volume is reduced by external forces, then this valve allows pressure medium to flow into B. This valve is only suitable for the lower speeds of cylinders. It is typically used in anchorage between shields.



pm3/val/pl/a

Order number	Description
pm3/val/pl/a	Pressure limiting valve