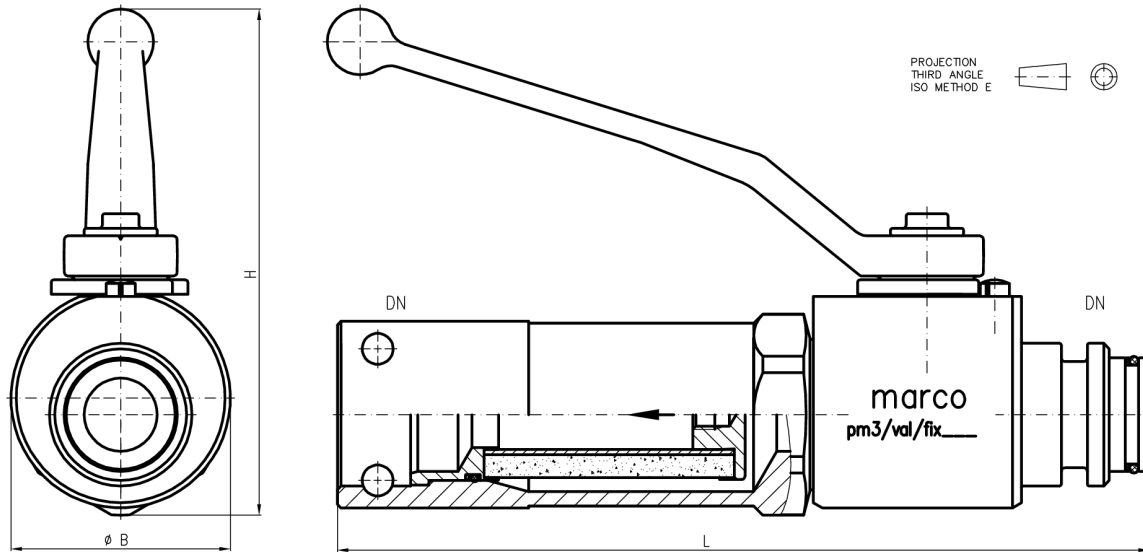


Line filter with stop cock



pm3/val/fix...

The line filter is designed to be fitted in pressure lines as the main filter in the shield. It is used to filter water or hydraulic liquids. The stopcock enables the supply line to the hydraulic block to be closed off. Its design also prevents accidental usage of the filter without its filter element as a significant amount of medium escapes if this happens.

The filter is produced in various versions which only differ in their DN connections and the size of the filter mesh.

Features

	pm3/val/fix25.40a	pm3/val/fix10.100a	pm3/val/fix12.80c
Dimensions (mm) L x B x H	222 x 60 x 140	170 x 42 x 77.5	170 x 42 x 77.5
Weight (kg)	ca. 3.5	ca. 0.85	ca. 1.0
Connections	DN 25	DN 10	C13 (Chinese)
Filter mesh	40 micron	100 micron	80 micron
Operating pressure	350 bar		
Medium	please contact marco		
Housing	stainless steel		

Application

The line filter is typically used in hydraulic systems in the field of mining.

Order number	Rev.	Description
pm3/val/fix25.40a	1.0	Line filter DN25, 40 micron, with stop cock
pm3/val/fe25.40a		Spare filter element
pm3/val/fix10.100a	1.0	Line filter DN10, 100 micron, with stop cock
pm3/val/fe10.100a		Spare filter element
pm3/val/fix12.80c	1.0	Line filter Chinese connections, 80 micron, with stop cock
pm3/val/fe12.80c		Spare filter element