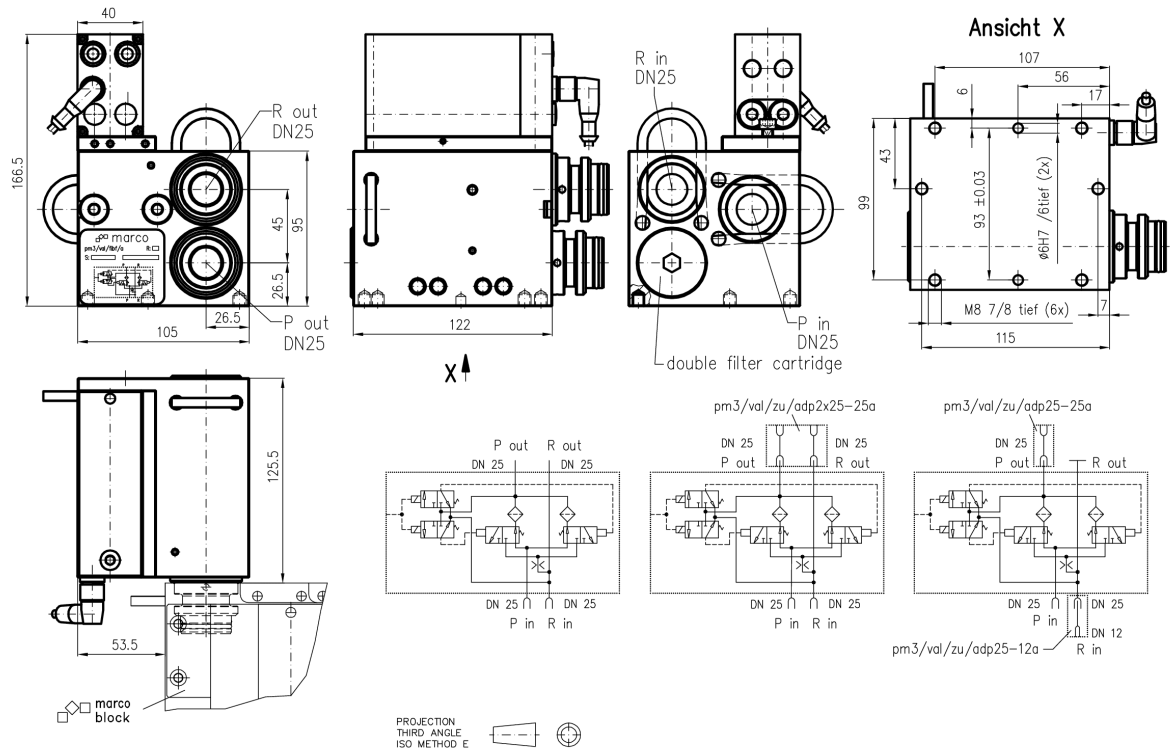
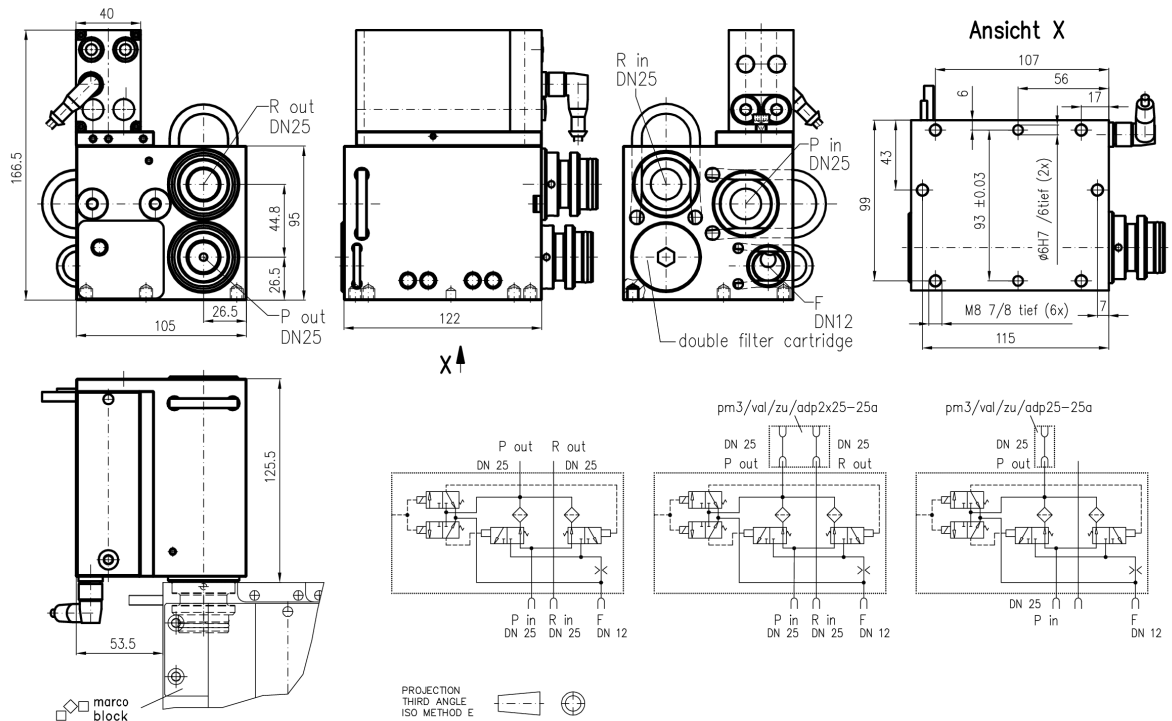


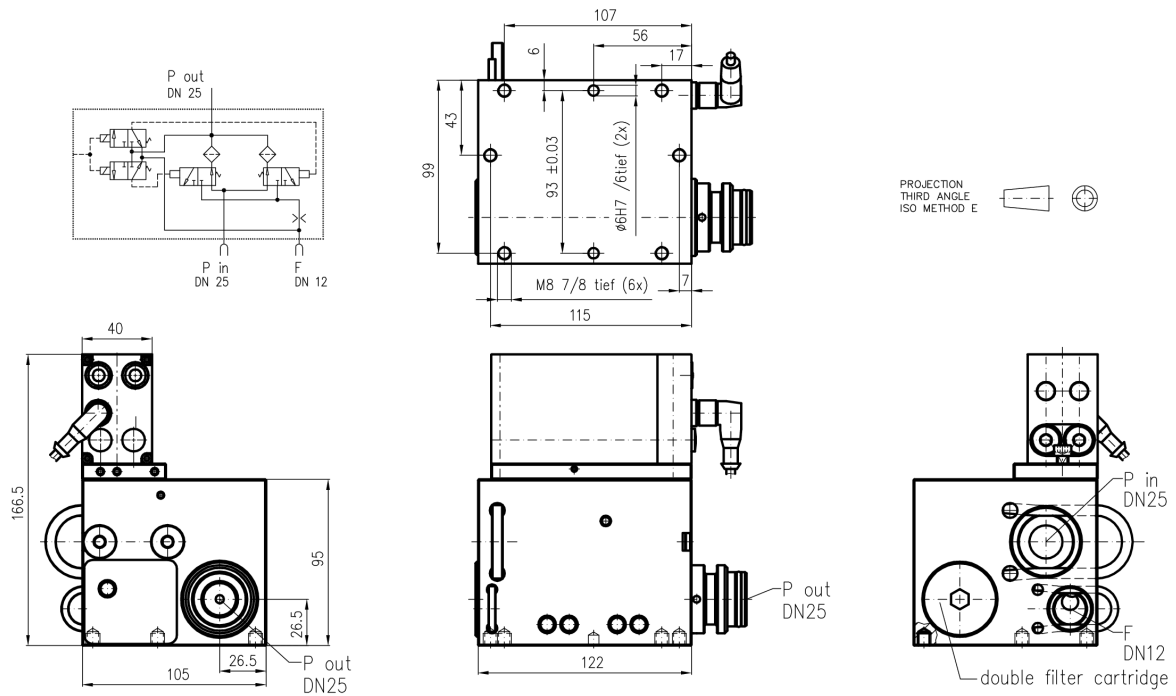
Automatic backflush shield filter with or without return connection



pm3/val/fibf/a...



pm3/val/fibf/af...



pm3/val/fibf/afs...

The *pm3/val/fibf/a* version of the backflush line filter is designed to be mounted directly on the hydraulic block as the main filter in the shield. Type */af* can be either mounted directly on the hydraulic block or inserted into the supply line P – DN25. The */afs* type is inserted into the supply line P – DN25. The return line is not routed through this filter. The back-flushing action of the filters is controlled electronically. The filter mesh size should be chosen taking the other filters in the system into account. Depending upon the individual connections, we also manufacture these filters with drainage into the return line and into an external connection. The version with external drainage is for a DN12 connection and should be connected to a hose at a point in the shield which avoids any miners being sprayed. Cleaning of the filter is controlled by the pm32 controller but it is also possible to clean the filter element itself by manually activating the control valves. It can be connected either via the *mcv/...* or directly to the controller.

Features

Dimensions (mm)	125.5 x 166.5 x 105
Mass	ca. 9 kg
Connections	P, R DN 25; F DN12
Filter mesh	25, 40 micron
Max. flow rate	700 l/min
Operating pressure	350 bar
Medium	any pressurising medium approved by Marco
Housing	VA

Order number	Rev.	Description
pm3/val/fibf/a25	1.0	Backflush line filter DN25 into return line, 25µ
pm3/val/fibf/a40	1.0	Backflush line filter DN25 into return line, 40µ
pm3/val/fibf/af25	1.0	Backflush line filter DN25, external connection, 25µ
pm3/val/fibf/af40	1.0	Backflush line filter DN25, external connection, 40µ
pm3/val/fibf/afs25	1.0	Backflush line filter DN25, hose connection, 25µ
pm3/val/febf/a		Spare filter element 25µm
pm3/val/febf/b		Spare filter element 40µm
pm3/val/zu/adp25-25a		DN25 female – DN25 female with anti-twist device
pm3/val/zu/adp2x25-25a		Dual adapter 2x DN25 female – DN25 female with anti-twist device
pm3/val/zu/adp2x25-12a		Dual adapter 2x DN25 female – DN12 male
pm3/val/evv/a		Double solenoid pilot valve