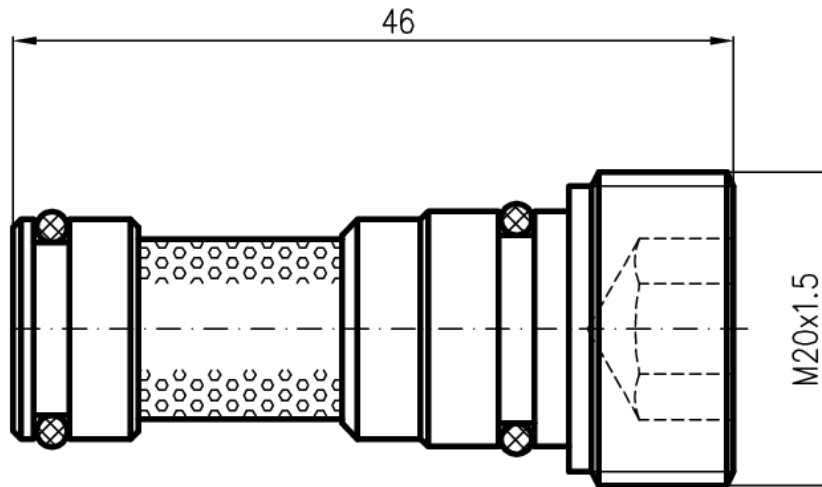


Filter cartridge with screw connection for hydraulic block



pm3/val/fi/b

The *pm3/val/fi/b* filter cartridge is designed to be screwed into the hydraulic block. It filters HFA and oily hydraulic liquids in the marco block. These filters cannot be washed. Contaminated filters have to be replaced by new ones!

Features

Dimensions	46 x M20 x 1.5
Size of filter mesh	25 micron
Max. flow rate	4 l/min
Operating pressure	350 bar
Medium	HFA liquid or mineral oils
Housing	stainless steel
Direction of flow	outside to inside

Filters are principally supplied with the relevant sealing rings

Order number	Rev.	Description
pm3/val/fi/b	1.0	Filter cartridge with screw connection for hydraulic block
di:0-12x2.sh90		O-ring
di:0-11x2.sh90		O-ring