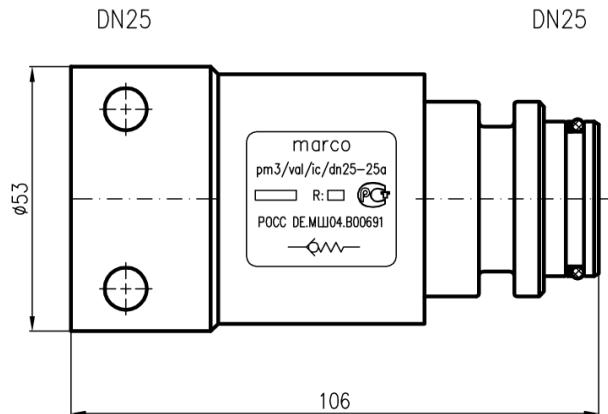
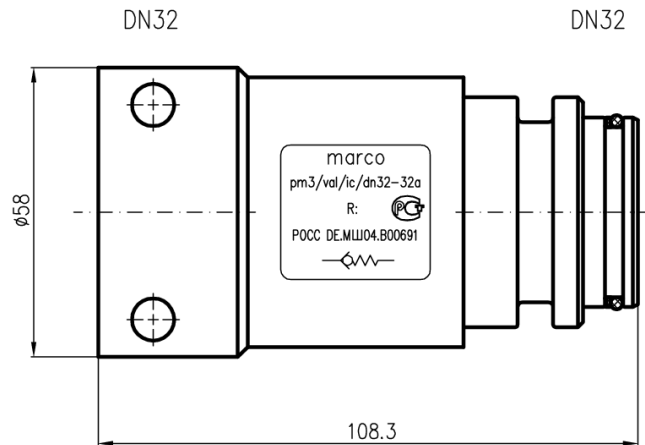


In-line check valve



pm3/val/ic/dn25-25a



pm3/val/ic/dn32-32a

The in-line check valve is a simple connection for the return line. It is fitted either into the distributor block or the pipe distributor and separates the return line to the shield hydraulics. This valve has a very low opening pressure and thus causes very little drop in pressure. The sealing seat is extremely durable. The valve housing is made as one piece. This valve is available in various DN versions.

Order number	Description
pm3/val/ic/dn25-25a	In-line check valve, DN25
pm3/val/ic/dn32-32a	In-line check valve, DN32
pm3/val/cc/b	Cartridge check valve
di:o-25x2,5.sh90	O-ring
di:o-st.27x31x0,8	Thrust ring