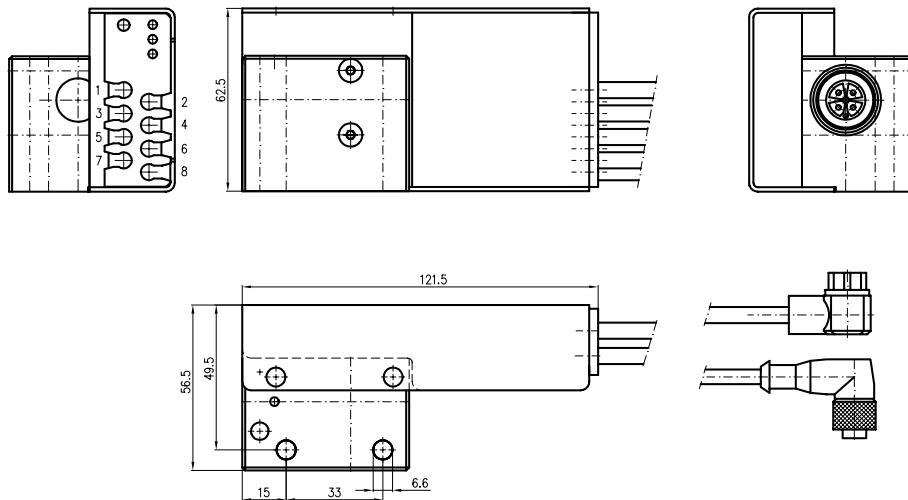




The *mcv/8/k* is a solenoid driver with digital outputs, e.g. for hydraulic pilot valves. It is driven by a control unit (*pm32*) via a serial interface. Coal mining is a typical application for this device.

- Control of up to eight two-way valves
- Feedback signal on the switching condition of the valve or input for external contacts



Picture: Solenoid Driver *mcv/8/k*

The driver is mounted directly on the hydraulic block and the connecting cables are already fitted. The valves can be controlled for shield operations via the communication channels of the network. Valves are controlled either by the control units of the adjacent shields, by the main control unit, or, if necessary, by the SCU in the respective shield.

- Power on (LED "on"): The green LED is on if the power supply is working.
- Communication (LED "D"): The yellow LED flashes if communication is taking place.
- Hardware watchdog (LED "W"): The red LED is on if there is an internal error condition at the solenoid driver, or there is no communication with the SCU

Connections: communication	
Pin	Description
1	power supply +UB
2	clock
3	data
4	0 V ground

Connections: valves		
Pin	Function Hirschmann	Function Lumberg
1	+UB	+UB
2	valve 1	valve 1
3	(connected to 1 in valve)	valve 2
4	valve 2	0 V ground / n.c.

From revision 1.2, pin 4 (ground) on the Lumberg connector is no longer wired.



Connecting cables	Hirschmann or Lumberg (acc. to application)
Dimensions LxBxH	121.5 mm x 56.5 mm x 62.5 mm
Power supply	8–28 VDC
Operating current	not controlled: 1 mA controlled: 4 mA
Upper limit	8 A for all valves automatic overload fuse
Approval ATEX	EX I M2 EEx ib I, INERIS03ATEX0139 $U_i = 13.2 \text{ V}$, $I_i = 2 \text{ A}$
Approval MSHA	pending
Approval Russia	РОСС DE.ГБ05.В02014 NANIO CCVE PPC 00-25498 Rostekhnadzor

The type and length of the connecting cables are chosen to suit the customer specific application.

Switches connect the outputs "solenoid 1/2" with "0 V ground".

Contacts have to be connected between "+UB" and "solenoid 1/2" for input.

Order Number	Release	Description
mcv/8/k	1.2	Solenoid Driver

