

Picture: fep/m8m Flash memory module

fep/m8m is an intelligent data storage and loading module. It is programmed using the data interface and loads as controlled by the built-in microprocessor any program into the target device. fep/m8m uses FLASH EPROM storage technology. There is no battery in the device and data security is high. The device is a "long" conm connector and connects directly to the "console port" of the target devices. A double LED (red/green) shows internal states.

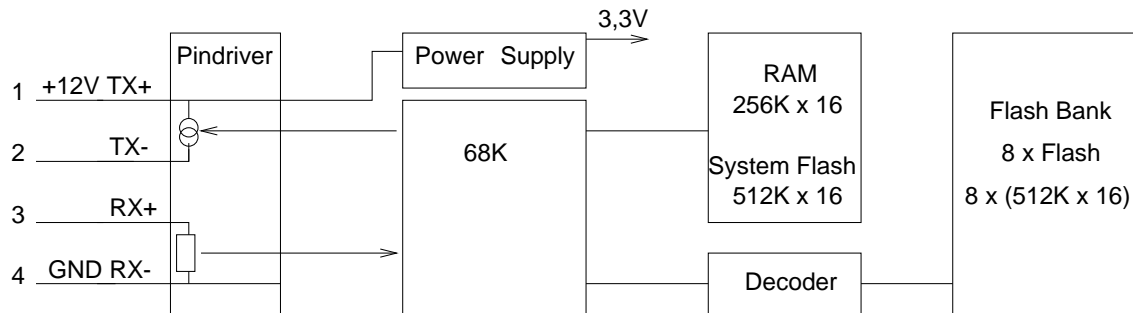
#### Pin Assignment:

Pin	Function
1	+12V
2	Tx 20mA CL
3	Rx 20mA CL
4	0V GND

#### LED States:

Colour	Description
Flashing green	waiting for first command packet after power-up
Flashing red	fatal application error
Green on	waiting for next command packet after processing last packet without errors
Red on	waiting for next command packet after processing last packet with errors
Red & green on	sending or receiving packet

Power Supply	8...30 VDC
max.	$U_i = 13.7V$ $I_i = 2.0 A$
Current consump.	Sleep mode 5mA, operating 30mA, max. 100mA
Memory	8MByte FLASH EPROM
Baud Rate	9600...115k
Protection	IP68
ATEX	I M1 EEx ia I INERIS 06ATEX0003
Parameters	$U_i = 13.7V$ , $I_i = 2.0 A$ , $L_i = 0$ $C_i = 0.3 \mu F$ , 20 $\mu F$ in series with 198 $\Omega$
Russian approval	POCC DE.MI'02.B00907 PPC 00-22773 Rostekhnadzor

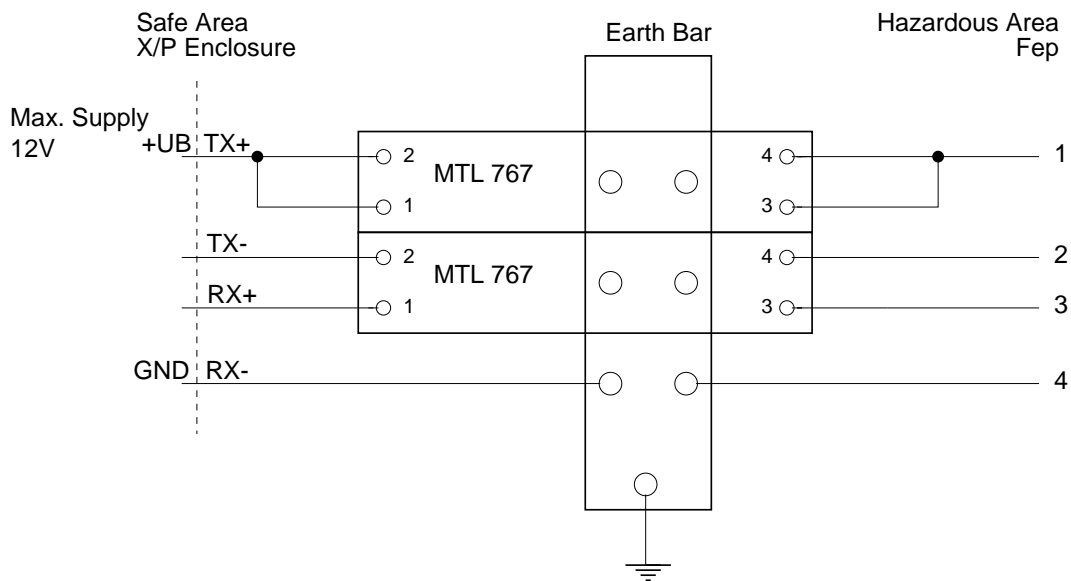
**Functional Diagram:****Software:**

P/fep/m8/soft/src FEP Software revision 1.7

**Use with barriers**

If the fep is connected to a barrier, the following must be observed:

Recommended Type MTL 767  
 Voltage at Safe Side 10.5V - 12.0V

**Application:**

The *fep/m8m* directly interfaces to the pm3.1/ze or other current loop serial interface ports.

It can be used for pocket transport of software update to the application area, automatic booting in case of software loss or upon exchange of controllers, especially in stand alone applications, or as a logfile for the storage of operational data, errors, states.

The *conm/adp/cla/d* is specially designed to connect *fep/m8m* to bidi devices (e.g. *pm32/sg*). The particular pin assignment enables a 1:1 cable to be used.

For further information on *conm/adp/cla/d* please refer to doc:D/conm/adp/cla/001.

Order Number	Release	Description
<i>fep/m8m</i>	2.0	Flash memory module 8 MByte flash memory module